

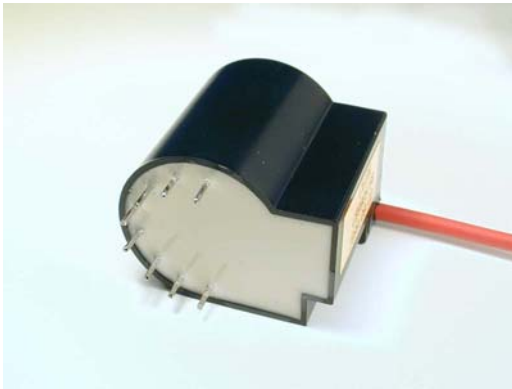
UR27 Series

■ Specifications

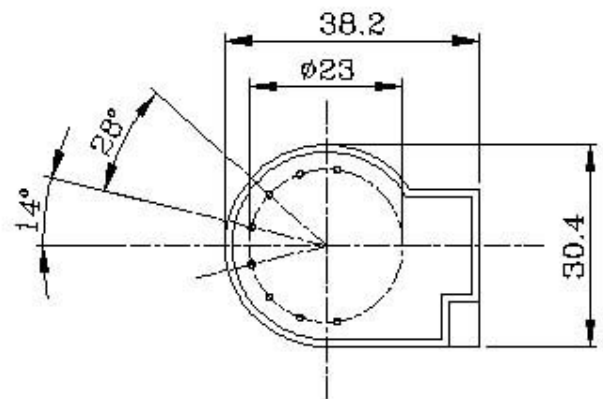
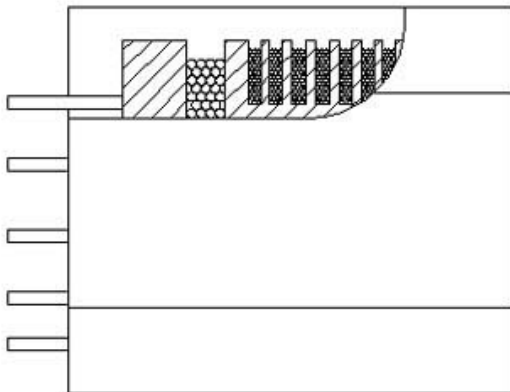
- Operating Power: 20W to 50W
- Input Voltage (Peak-to-Peak): 20V to 800V
- Output Voltage (Peak-to-Peak): 15KV Max.
- I/O Isolation Voltage: 10KV
- Frequency: 10KHz to 40KHz
- Operating Surface Temperature: 0°C to +80°C

■ Applications

- Ozone Generator (500mg to 1.5g /hr/O2)
- Ion Generator
- Electrostatic Precipitator
- Electronic Gas Igniter
- Electronic Neon Tube Power Supply (15ft)
- Flyback Transformer



Coil Winding Types



Bobbin

UNIT: mm

■ Part Number List

Part Number	Winding	Turns Ratio	Pin - Pin	Inductance	DC Resistance
BO-72845	Primary	1	4 - 5	0.44mH	0.27Ω
	Secondary	62.2	1 - 8	1.48H	0.78KΩ
CH-980813	Primary	1	5 - 4	49.0uH	0.075Ω
	Secondary	187	1 - 8	Output DC+	
CH-990102	Primary	1	5 - 8	41.4uH	0.083Ω
	Secondary	103	1 - HV	1.87H	1.13KΩ
CH-990518B	Primary	1	3 - 4	38.9uH	0.034Ω
	Feedback	1	4 - 5	38.7uH	0.034Ω
	Secondary	280	1 - HV	2.86H	0.78KΩ
CH-980901A	Primary	1	3 - 4	5.0mH	2.10Ω
	Feedback	0.09	5 - 6	46.0uH	0.21Ω
	Secondary	13.85	1 - 8	0.94H	0.36KΩ
CH-981120	Primary	1	3 - 4	5.2mH	2.25Ω
	Feedback	0.038	5 - 6	8.4uH	0.09Ω
	Secondary	15.4	1 - 8	1.17H	0.43KΩ
CHT-0114D	Primary	1	6 - 3	24uH	0.09Ω
	Feedback	1	4 - 2	22.5uH	0.09Ω
	Secondary	333.3	8 - HV	2.50H	0.21KΩ
CHT-0215	Primary	1	3 - 6	78uH	0.049Ω
	Secondary	250	1 - HV	4.45H	2.35KΩ
CHT-0241	Primary	1	3 - 6	0.48mH	0.194Ω
	Secondary	79	1 - HV	2.74H	1.15KΩ
CHT-0326A	Primary	1	3 - 6	4.8uH	0.017Ω
	Secondary	500	8 - HV	1.14H	0.57KΩ