

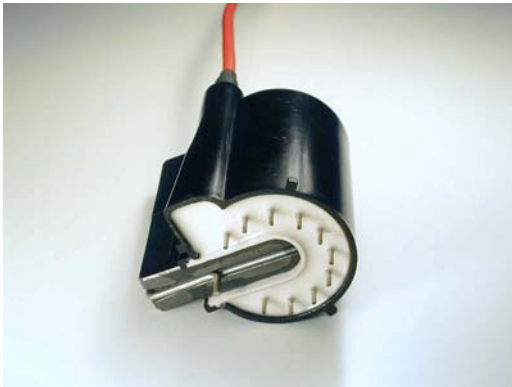
UR3524B Series

■ Specifications

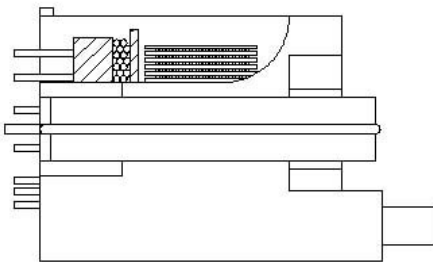
- Operating Power: 30W to 60W
- Input Voltage (Peak-to-Peak): 20V to 800V
- Output Voltage (Peak-to-Peak): 20KV Max.
- I/O Isolation Voltage: 15KV
- Frequency: 5KHz to 35KHz
- Operating Surface Temperature: 0°C to +80°C

■ Applications

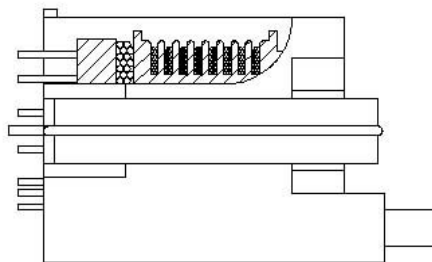
- Ozone Generator (500mg to 2g /hr/O₂)
- Ion Generator
- Electrostatic Precipitator
- Electronic Gas Igniter
- Electronic Neon Tube Power Supply (40ft)
- Flyback Transformer



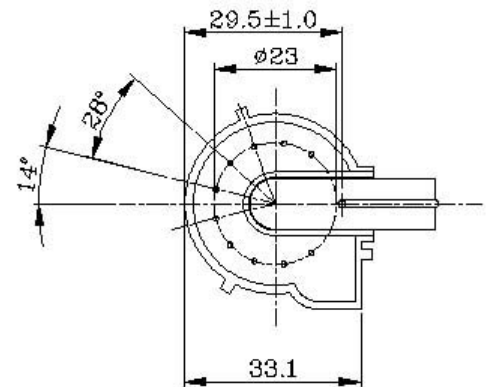
Coil Winding Types



Layer



Bobbin



UNIT: mm

■ Part Number List

| Part Number | Winding | Turns Ratio | Pin - Pin | Inductance | DC Resistance |
|-------------|-----------|-------------|-----------|------------|---------------|
| CH-981121 | Primary | 1 | 5 - 4 | 59.0uH | 0.035Ω |
| | Secondary | 187 | 1 - 8 | Output DC+ | |
| CHT-0006A | Primary | 1 | 3 - 6 | 4.2uH | 0.016Ω |
| | Secondary | 500 | 8 - HV | 0.88H | 0.27KΩ |
| CHT-0013A | Primary | 1 | 1 - 3 | 28uH | 0.11Ω |
| | Feedback | 1 | 3 - 6 | 28uH | 0.11Ω |
| | Secondary | 200 | 8 - HV | 1.20H | 0.72KΩ |
| CHT-0114B | Primary | 1 | 4 - 2 | 35uH | 0.081Ω |
| | Feedback | 1 | 6 - 3 | 39uH | 0.083Ω |
| | Secondary | 285.7 | 8 - HV | 2.8H | 0.64KΩ |