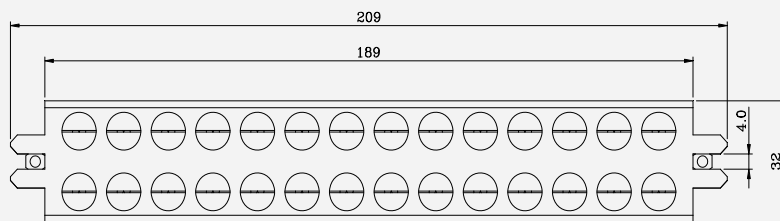
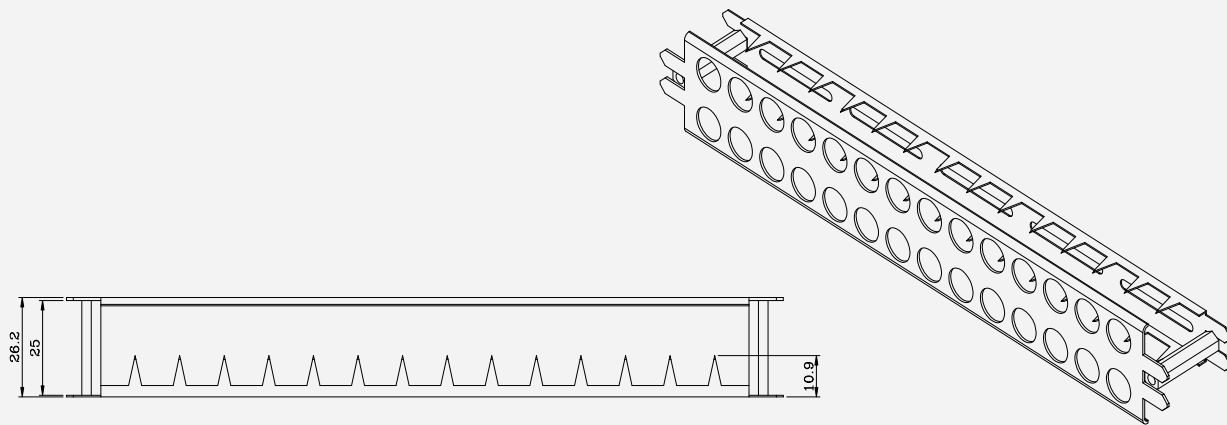


CHI-0001 Configuration & Dimensions



Unit: mm

Ionic Wind Velocity

0.25M/sec

Output Voltage

-7.5KV DC

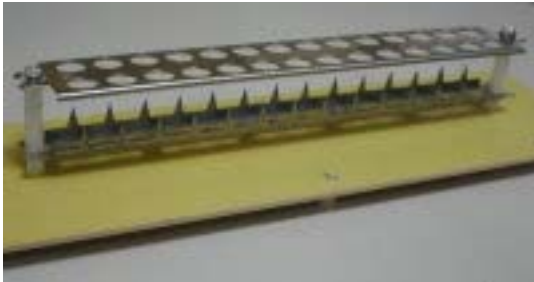
Material

Stainless Steel 316L



TEST DATA

CHI-0001A



CHP-1111A



Load: CHI-0001A

HV Power Supply: CHP-1111A

Input Voltage (DC)	Input Current	Output Voltage (DC)
10.0V	0.17A	-7.03KV
10.5V	0.18A	-7.19KV
11.0V	0.19A	-7.38KV
11.5V	0.20A	-7.48KV
12.0V	0.21A	-7.50KV
12.5V	0.21A	-7.62KV
13.0V	0.22A	-7.72KV
13.5V	0.23A	-7.83KV
14.0V	0.24A	-7.95KV