

OZ24V30W

Electric Apparatus

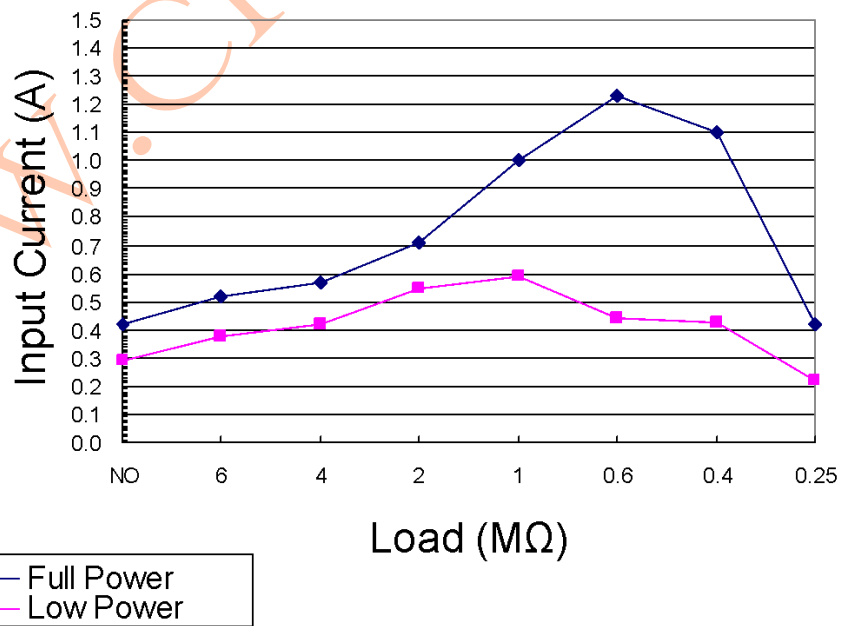
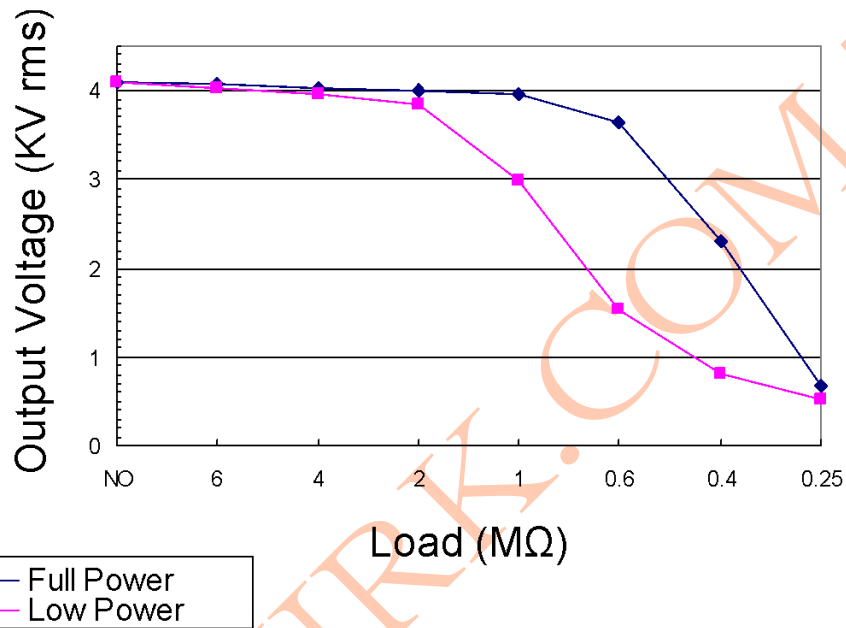
Model : CHP-1214A

Input : DC24V 30W(max)

Output : AC 4.1KV rms (max)

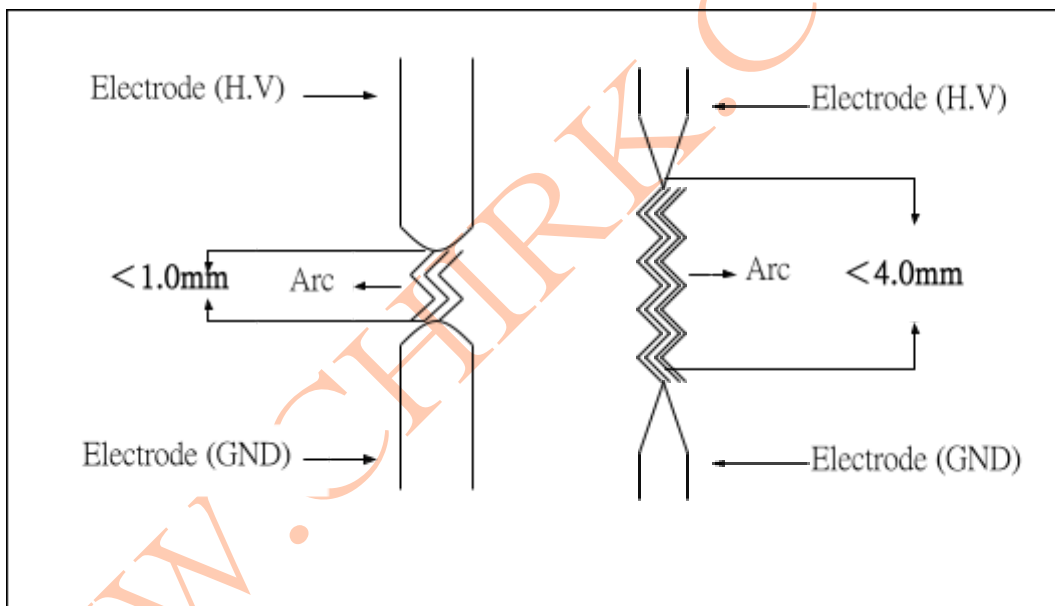
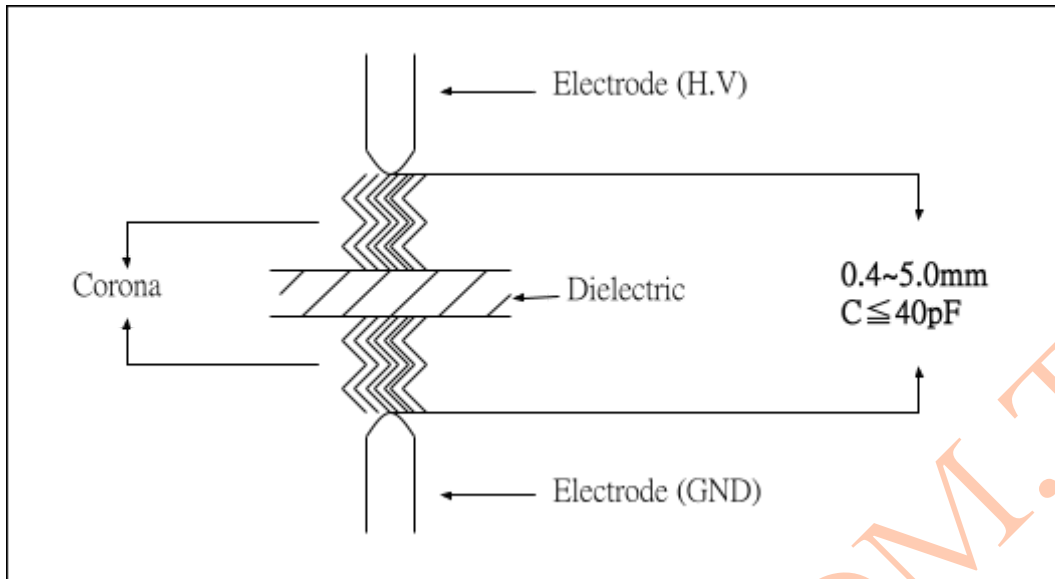
Frequency:16~28 KHz (load=40pF~3pF)

Power Control: Variable Resistor

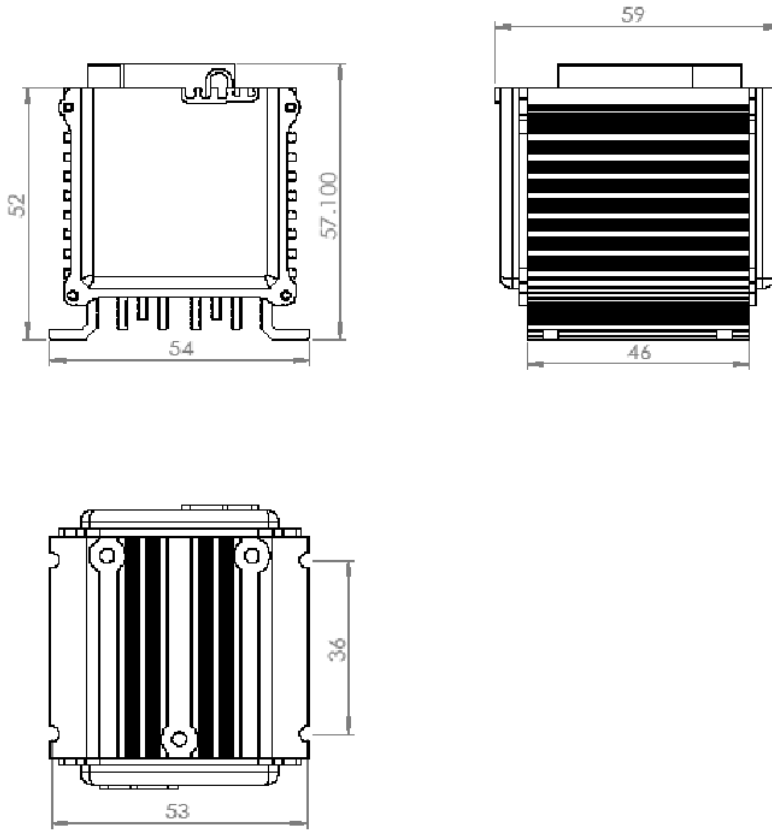


High Voltage Probe=100MΩ 3pF

Load Application



SIZI



WT

WT

Chirk Industry Co., Ltd.
www.chirk.com.tw