

OZ12V10W

Electric Apparatus

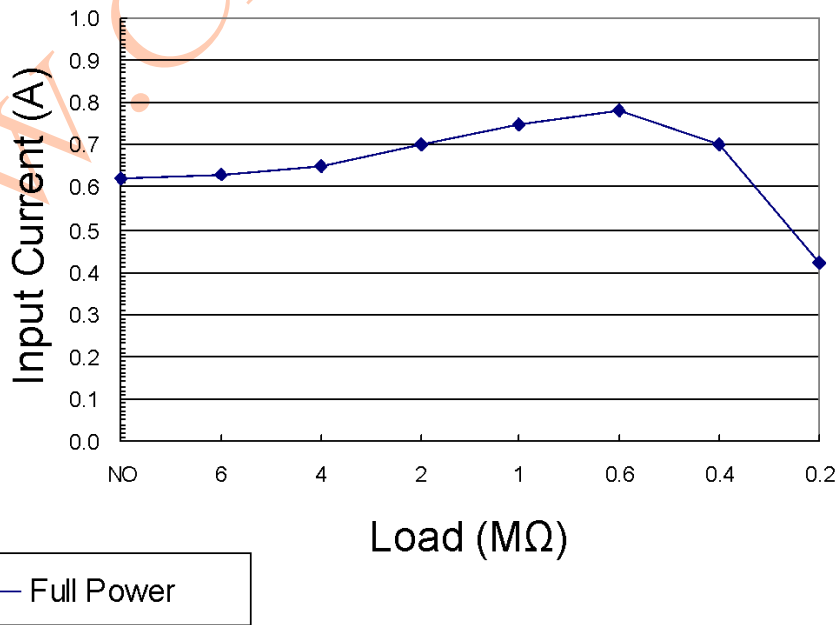
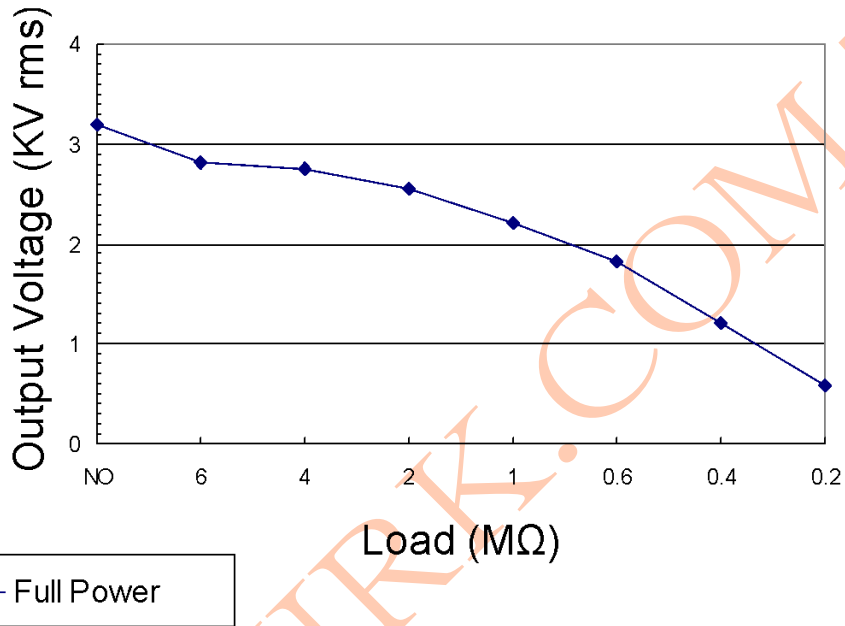
Model : CHP-1515A

Input : DC12V 10W(max)

Output : AC 3.1KV rms (max)

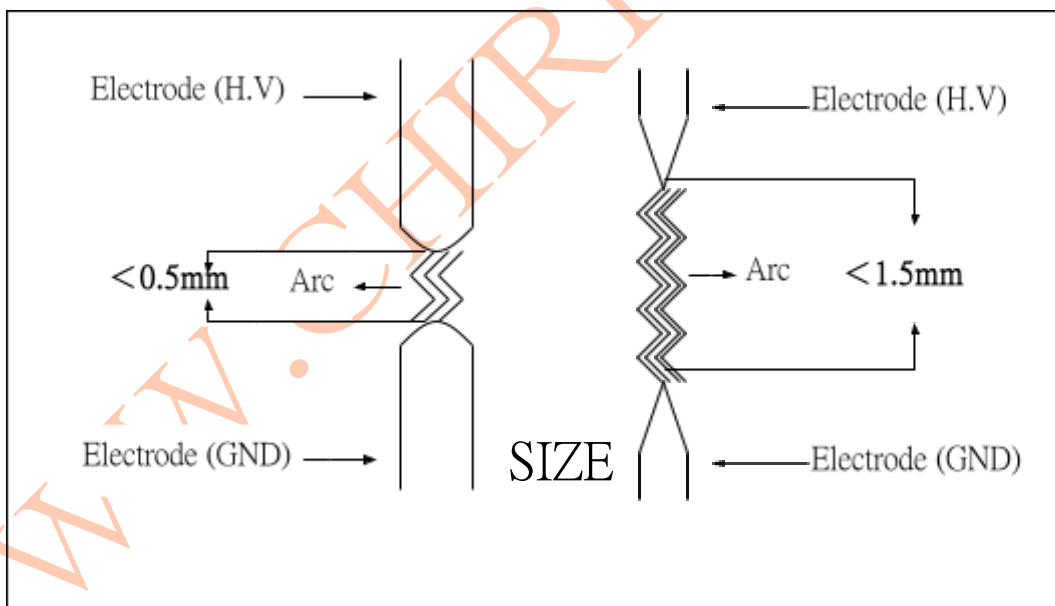
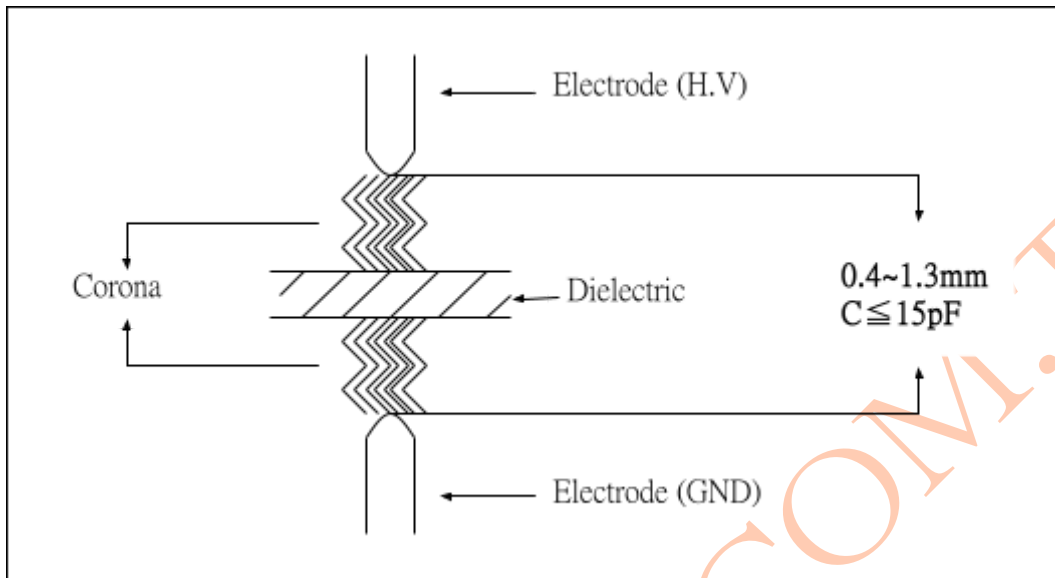
Frequency:19~35 KHz

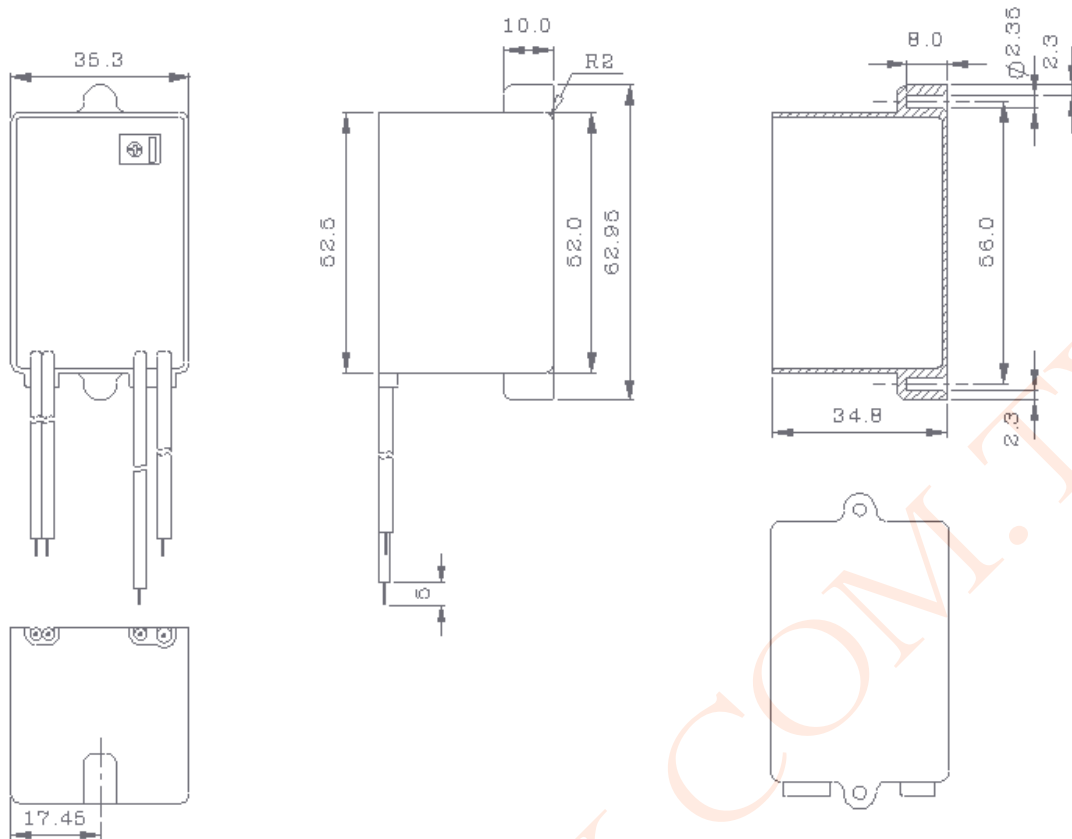
Power Control: Variable Resistor(15~100%)



High Voltage Probe=100MΩ 3pF

Load Application





Chirk Industry Co., Ltd.

www.chirk.com.tw